

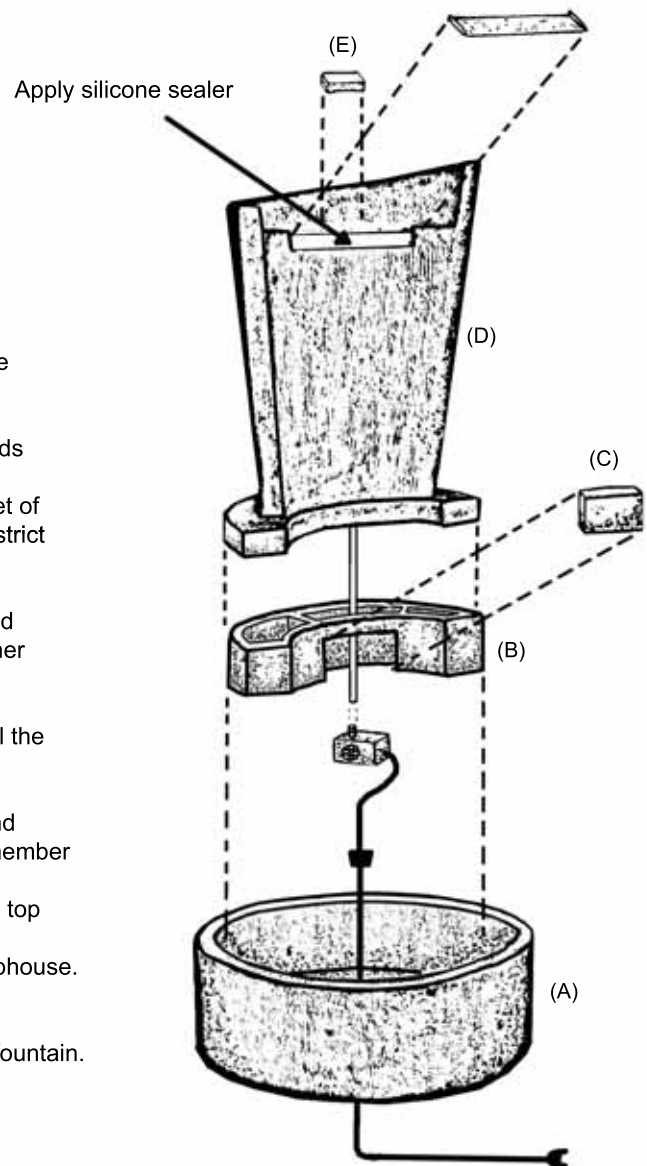
#2575 Eclipse Fountain

Items Required For Assembly

280 GPH Pump	(not provided)
Rubber Stopper	(provided)
Silicone Sealer	(not provided)
Copper Lip	(provided)



- 1) Place bowl (A) on a firm, level surface. Lift up one side of the base approximately 3" by placing some wood under the bowl where the groove is located on the underside.
- 2) Place pump in the bottom of bowl (A). Pass the electrical cord through the PVC coupling at the bottom of the bowl.
- 3) Remove the wood holding up the bowl (A) and gently lower it to the ground making sure that the electrical cord runs out along the groove located on the underside.
- 4) Pull the electrical cord out the bottom of the bowl so that approximately 6" remains inside the bowl (A).
- 5) Take the rubber stopper and apply silicone sealer in the center hole. Open the stopper and place around the electrical cord. Apply silicone sealer around the outside and along the inner cut of the stopper and insert fully into the PVC coupling at the bottom of the bowl.



- 6) Place the pumphouse (B) into the bottom of the bowl (A) where the markings are and over the pump.
- 7) Gently place the tower (D) onto the pumphouse (B) so that the vinyl tubing protruding from the bottom of the tower (D) extends through the pumphouse to the pump.
- 8) Through the access cutout, attach the vinyl tubing to the outlet of the pump. Make sure that the tubing is not kinked so as to restrict water flow. You may cut the vinyl tubing if necessary.
- 9) Place a bead of clear silicone sealer along the entire length of the spillway where the copper lip is to be placed. The bead of silicone sealer should be approximately 1/2" in from the inner rim of the spillway.
- 10) Gently peel off the protective film from the copper lip (E).
- 11) Gently press the copper lip (E) into place in the spillway until the bottom flange of the copper lip rests against the inner rim of the spillway. Be careful not to bend the copper lip!
- 12) Fill the spaces between the side flanges of the copper lip and the side walls of the spillway with clear silicone sealer. Remember that the goal is to force all water to go over the copper lip.
- 13) Place the diffuser cap (E) over the hole at the bottom of the top reservoir of the tower (D).
- 14) Place the access door (C) into place at the front of the pumphouse.
- 15) Fill the bottom bowl (A) with clean water so that the pump is completely submerged.
- 16) Plug the pump into a GFCI protected outlet and enjoy your fountain.