

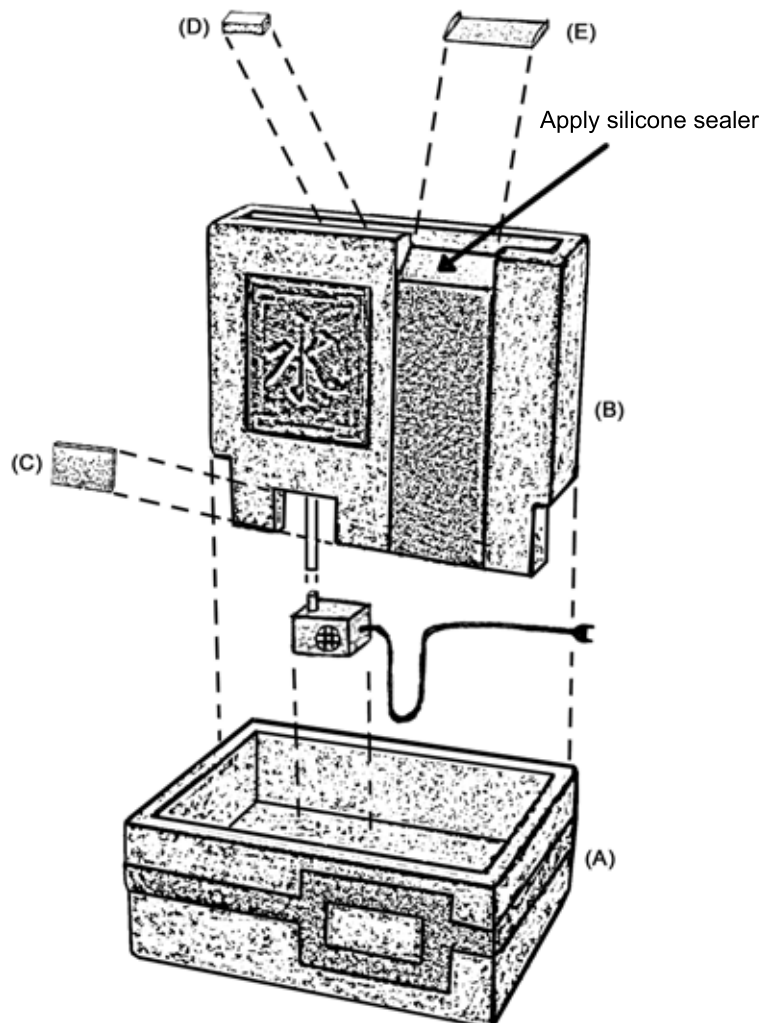
#2544 Feng Shui Fountain

Items Required For Assembly

170 GPH Pump	(not provided)
13" of Vinyl Tubing	(provided)
6" Copper Lip	(provided)
Clear Silicone Sealer	(not provided)



- 1) Place the bowl (A) on a firm, level surface.
- 2) Place the pump into the back of the bowl. Drape the electrical cord of the pump over the back rim of the bowl.
- 3) Place the tower (B) into the back of the bowl(A) so that it sits on the back rim of the bowl. The pump should sit in the cutout at the bottom of the tower (B).
- 4) Slip one end of the Vinyl Tubing over the outlet of the pump and the other end over the copper tubing protruding from the back of the tower (B) above the cutout. Make sure the tubing is not kinked as this will impede the water flow. You may cut the vinyl tubing to size if necessary.
- 5) Place a bead of clear silicone sealer along the entire length of the spillway where the copper lip is to be placed. The bead of silicone sealer should be approximately 1/2" in from the inner rim of the spillway.
- 6) Gently peel off the protective film from the copper lip (E).
- 7) Gently press the copper lip (E) into place in the spillway until the bottom flange of the copper lip rests against the inner rim of the spillway. Be careful not to bend the copper lip!



- 8) Fill the spaces between the side flanges of the copper lip and the side walls of the spillway with clear silicone sealer. Remember that the goal is to force all water to go over the copper lip.
- 9) Place the diffuser cap (D) over the hole at the bottom of the top reservoir of the tower (B).
- 10) Place the access door (C) into place so that it covers the cutout.
- 11) Fill the bottom bowl (A) with clean water so that the pump is completely submerged.
- 12) Plug the pump into a GFCI protected outlet and enjoy your fountain.