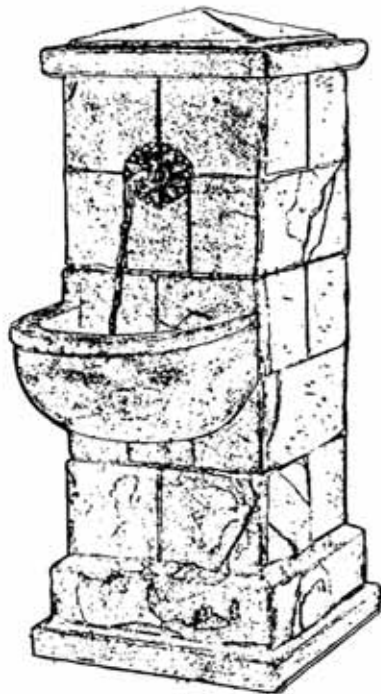


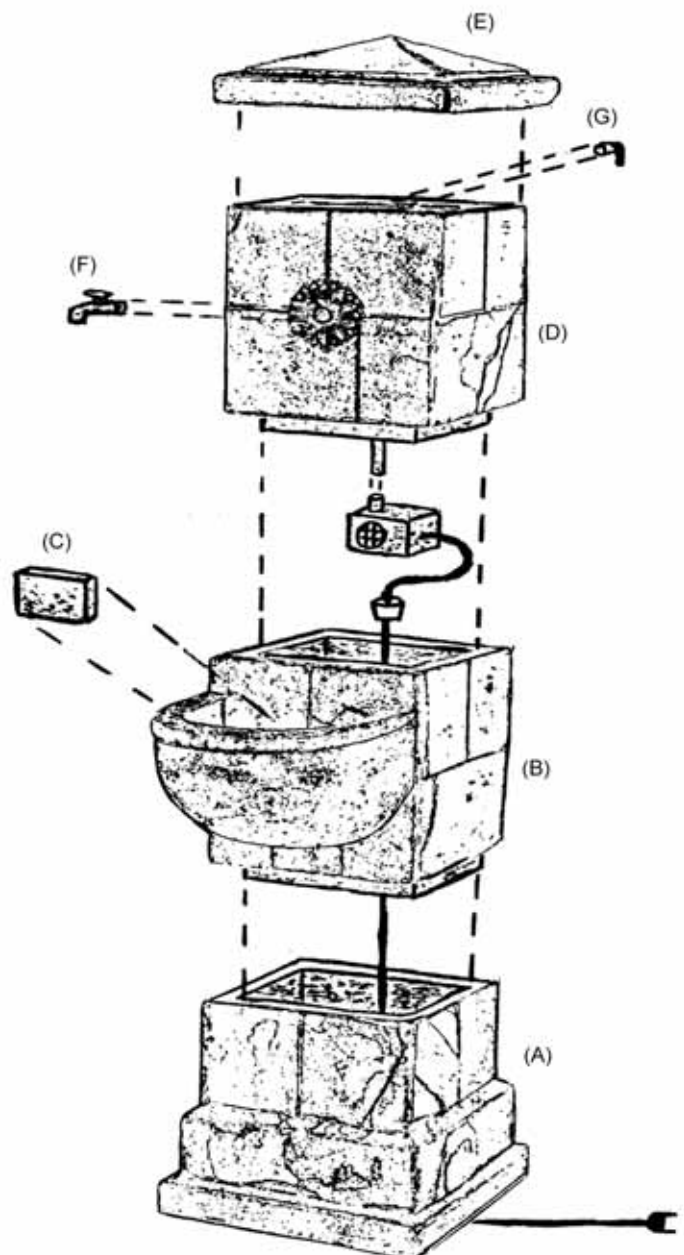
#1575 Villagio Fountain

Items Required For Assembly

170 GPH Pump	(not provided)
Rubber Stopper	(provided)
3/4" PVC Tubing Adapter	(provided)
3/4" Hose Bibb (Faucet)	(provided)
24" of 1/2" ID Clear Vinyl Tubing	(provided)
Clear Silicone Sealer	(not provided)



- 1) Slip the 3/4" PVC Tubing Adapter (G) onto the 3/4" PVC pipe protruding from the inside of the tower component (D). This may already have been pre-installed at the factory.
- 2) Screw the 3/4" Hose Bibb (F) into the 3/4" threaded coupling in the center of the rosette ornament of the tower component (D). This may already have been pre-installed at the factory.
- 3) Place the base (A) on a firm, level surface with groove on bottom towards the back. Lift up the back of the base approximately 3" by placing some wood under the back of the base.
- 4) Gently place the reservoir component (B) on top of the base (A).
- 5) Pass the electrical cord of the pump through the PVC coupling at the bottom of the reservoir component (B), through the base (A), and out the bottom of the base where the groove is located.
- 6) Remove the pieces of wood holding up the back of the base (A) and gently lower to the ground.
- 7) Pull the electrical cord out the back of the base (A) so that approximately 4" remains inside the bowl.



- 8) Take the rubber stopper and apply silicone sealer in the center hole. Open the stopper and place around the electrical cord. Apply silicone sealer around the outer top rim and along the inner cut of the stopper. Insert the stopper fully into the PVC coupling at the bottom of the bowl (B).
- 9) Gently place the tower component (D) on top of the reservoir component (B) so that the rosette ornament with faucet is facing towards the front.
- 10) Slip one end of the 1/2" ID Clear Vinyl Tubing over the outlet of the pump and the other end onto the PVC Tubing Adapter (G). Make sure the tubing is not kinked as this will impede the water flow. You may cut the vinyl tubing to size if necessary.
- 11) Gently place the cap (E) on top of the tower component (D).
- 12) Turn the handle on the Hose Bibb (F) to the open position.
- 13) Fill the reservoir component (B) with water making sure that the pump is completely submerged.
- 14) Plug the pump into a GFCI protected outlet. Adjust the water flow as necessary using both the adjustment control on the pump and the handle on the Hose Bibb.
- 15) Place the access door (C) in the opening at bottom of bowl of the reservoir component (B) and enjoy your new fountain.